

HELI

www.heliforkliftcanada.com

BALANCING ECONOMY WITHOUT COMPROMISING QUALITY.



FD110P - FD220P

Product specifications

Diesel Pneumatic Tire Forklifts

11,000-22,000 lbs Capacity



Legendary Heli Quality

Productivity & Reliability

Powerful Performance

Security & Comfort

**2 Year Limited
Powertrain Warranty**



ISO9001
ISO 9001 CERTIFICATION

All Heli forklifts meet or exceed
ASME B56.1 and CSA B335 Standards

CE
CE CERTIFICATION



www.heliforkliftcanada.com

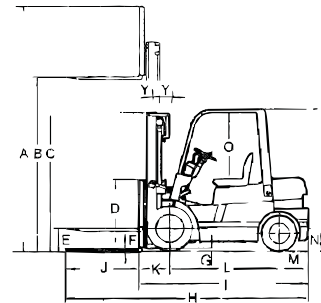
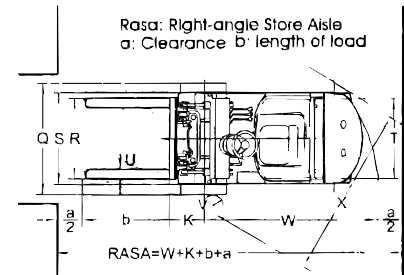


FD110P - FD220P

Product specifications

Model			FD110P	FD130P	FD155P	FD175P	FD220P
Load Capacity		lbs	11,000	13,000	15,500	17,500	22,000
Load Center		inches	24"				
Lifting Speed (with/without load)		fpm	98/108	98/108	90.6/98	86.7/92.6	70.9/74.9
Travel Max. Speed (with/without load)		mph	16.2/18.7				
Max. Drawbar Pull		lbs	12,148	12,148	11,923	14,218	13,048
Wheel (Front/Rear) X= drive wheel			4X/2	4X/2	4X/2	4X/2	4X/2
Gradeability @1mph with/without load		%	35/19	32/19	30/19	27/21	22/21
Tilt Angle (F/B)	Y	degrees	6/12				
Overall Height Fork raised	A	inches	185.8	185.8	185.8	185.8	182.3
Max. Fork Height	B	inches	130				
Overall height lowered	C	inches	104.3	104.3	104.3	112.2	118.1
Free Lift	E	inches	7.9	8.1	8.3	7.9	9.3
Overall Length (w/o fork)	H	inches	135.4	138.3	141	155.1	167.7
Min. Ground Clearance (bottom of mast)	G	inches	7.87	7.87	7.87	9.8	9.6
Overhang (Front/Rear)	K/M	inches	23.2/23.6	23.2/26.5	23.2/29.1	27.5/29.1	28.2/29.1
Wheel Base	L	inches	88.6	88.6	88.6	98.4	110
Overall Height	P	inches	96.5	96.5	96.5	101.8	101.8
Overall Width	Q	inches	78.5	78.5	78.5	85.2	88.4
Tread (Front/Rear)	S/T	inches	57.9/66.9	57.9/66.9	57.9/66.9	63/66.9	63/66.9
Min. Intersecting Aisle	X	inches	116.5	118	120	130	139
Min. Turning Radius (Outside)	W	inches	128	130	132.7	145.7	153.5
Fork size	J/U/F	inches	48/5.9/2.17	48/5.9/2.36	48/5.9/2.56	48/6.7/2.76	48/6.89/3.15
Engine Model			Cummins QSB 4.5				
Rated Horsepower		hp/rpm	110/2,200				
Rated Torque			357/2,200				
Battery voltage/capacity		V/AH	2x12/80				
Tire (Front)			8.25/15/14PR			9.00/20/12PR	
Tire (Rear)			8.25/15/14PR			9.00/20/14PR	
Service Weight		lbs	17,700	19,100	20,700	24,270	27,000

FD110P - FD220P Diesel Pneumatic Tire



ISO9001
ISO 9001 CERTIFICATION

CE
CE CERTIFICATION

Options include:

- various masts up to 236"
- sideshifts and attachments
- full cabs and rainguards
- air pre-cleaners
- additional lights

All Heli forklifts meet or exceed
ASME B56.1 and CSA B335 Standards

Proud to be your authorized Heli Forklift Canada dealer:

Heli Forklift Canada

402 Allanburg Rd.
Thorold, ON L2V 1A4
1-877-435-4352 905-227-7554
www.heliforkliftcanada.com
sales@heliforkliftcanada.com